

■ Suction Unit
SG-Economy



■ USER MANUAL

Dear customer,

Thank you for choosing a product from the Wassermann range. Wassermann Dental-Maschinen incorporates the highest standards of quality and the latest technology. In order to enjoy maximum performance and years of trouble-free operation, please read this user manual carefully before you connect this device and start work, and operate the device according to the recommended guidelines. The operation safety and the functionality of this device can only be guaranteed if you follow both the general safety guidelines and the applying laws to prevent accidents as well as the precautions given in this user manual. We are not liable for any damages which occur due to inappropriate usage or faulty operation of this device.



Make sure that anyone using this device has read and understood this user manual.

Keep this user manual in a safe place where it can be referred to as required at any time.



The unit complies with the relevant EU guidelines.



The unit is subject to the EU guidelines 2012/19/EU (WEEE Directive).



Technical changes reserved.

Company address:

Wassermann Dental-Maschinen GmbH

Rudorffweg 15-17

21031 Hamburg, Germany

Phone : +49 (0)40 730 926 -24 Fax.: +49 (0)40 730 37 24

export@wassermann-dental.com

www.wassermann.hamburg

www.facebook.com/WassermannDentalmaschinen

Contents

1 Features.....	4
2 Safety Symbols used in this Manual.....	5
3 Safety Guidelines.....	5
4 Responsibility for Operation or Damage.....	7
4.1 Warranty.....	7
5 Application.....	7
6 Before Starting.....	8
6.1 Transport.....	8
6.2 Installation.....	8
6.3 Storage.....	8
7 Installation/ Start-up.....	9
8 Operation.....	10
8.1 General Operating Instructions.....	10
8.1.1 Set the Use Mode to auto or manual.....	11
8.1.2 Adjustment of the Motor Power (Suction).....	11
8.1.3 Set the Clock.....	12
8.1.4 Leaf Button/ Filter Vibration Function.....	12
8.1.5 Micromotor Calibration.....	12
8.1.6 Hour.....	12
9 Care and Maintenance.....	13
9.1 Cleaning.....	13
9.2 Maintenance.....	13
9.2.1 Main Filter/ cartridge filter.....	14
9.2.2 Dust Filterbag.....	15
9.2.3 Exhaust HEPA Filter.....	16
9.3 Repairs.....	17
9.4 Spare Parts.....	17
9.5 Service Hotline 0049 (0)40 730 926 -24.....	17
10 Technical Data.....	17
11 Disposing of the Unit.....	18
11.1 Information on Disposal for Countries within the EU.....	18
12 EU Declaration of Conformity.....	19

1 Features

- Suction unit with highly efficient motor and convenient automatic start and stop system (auto/ manual mode selectable)
- Versatile in use
- Clearly structured user interface for quick and easy handling
- With filter status warning and automatic cleaning function of the cartridge filter
- Adjustable motor power regulation (25%, 50%, 75%, 100%)
- Power tools socket SHUKO type at 230V
- Expandable to two places (adapter available as an accessory)
- Almost noiseless operation, suitable for continuous operation
- High safety standard: With a practical automatic switch-on for the automatic start of the suction by the motor handpiece and with an integrated run-on for even more high safety and health in the workplace
- Safety and health in the workplace due to the 3 stage filter system including main filter / cartridge filter of class M according to EN 60335-2-69 (washable), filterbag box (optionally bagless or bagged: 7 l or 10 l) and HEPA exhaust filter

2 Safety Symbols used in this Manual



Warning!

This is a warning of risk situations and dangers.
Failure to observe this warning could be life-threatening.
These warnings has to be observed.



Information!

This symbol draws your attention to specific features that has to be observed.

3 Safety Guidelines

Configuring and operating this equipment requires ***precise knowledge*** and ***observance*** of the instructions in this ***user manual***. The equipment is designed only for its intended application.



WARNING:

Servicing and repairs should be carried out only by authorised specialists.
Disconnect the power plug before starting any maintenance work.



Make sure that the equipment is connected to the correct power source.



Before using the unit, check that all the filters are in place and that the power supply is the same indicated on rating label.

Check the filters regularly and, if necessary, brush them or replace them.

If necessary, wash the filters. Allow the filters to dry completely before replacing them. The HEPA filter is NOT washable!

Never position the vacuum nozzle near the eyes, ears or nose when the unit is in operating.

Do not use the unit to vacuum burning objects and water.

Always remove the plug from the power socket when the unit is not in use and before carrying out any maintenance or cleaning.

Do not switch on the unit if it appears to malfunction in any way.

Do not run the suction unit over the power cable, as this might damage the insulating sheath.

Never pull the power cable or the unit itself to remove the plug from the socket.

Do not allow children or the infirm to use the unit.

This unit is designed exclusive for domestic use as described in the instruction booklet and not use the unit outside or on wet surface.

Don't wet the unit and the accessories for cleaning, neither partially.

Please verify regularly the flexible and not use if damaged.

Don not use the unit if the dust collector is blocked, this may cause a possible motor damage.

4 Responsibility for Operation or Damage

The responsibility for operating the device lies exclusively with the owner or user if said device is incorrectly serviced, maintained or altered by persons not employed by an authorised dealer or if the device is used in a manner contrary to its specified purpose. The unit has to be maintained and operated in accordance with this user manual. Wassermann Dental-Maschinen GmbH is not responsible for damage arising from the **nonobservance** of these instructions.

Warranty and responsibility provisions contained in the sales and supply conditions of Wassermann Dental-Maschinen GmbH are not extended by these instructions.

4.1 Warranty



The warranty period for our equipment is 12 months. If faults occur within the warranty period, contact your dental depot or get in touch directly with our service department.

Your equipment should only be operated in perfect condition. If faults occur which could harm operators or third parties, the unit should not be used until it has been fixed.

This warranty does not cover damage caused by improper use, external mechanical causes, transport damage or interference with the unit by unauthorized persons.

5 Application

The **SG-Economy** suction unit is used to extract dental dust at the workplace and to extract polishing dust and fine blasting units.

It can be used in many ways, e.g. at the dental workstation or at the polishing trough.


The SG-Economy comes as standard with a socket for a connection device.

Only use the device for this type of application.

6 Before Starting

6.1 Transport


Before transporting the unit, ensure that it has been unplugged from the power socket. Make sure that it is packed correctly in order to avoid accidental damage.


-  Be sure to check for any transport damage when unpacking the goods. Note down any damage if found.

6.2 Installation

Open the box, remove the packing materials, and carefully lift out the unit and accessories. Check the included accessories.

-  **The unit has to stand horizontally on a steady and even surface.**

-  Do not install the unit outdoors or in places without proper ventilation.

-  Install the unit in a place where it will not block the working area and the functionality (take the dimensions into account). Make sure that there are about 10 cm of free space on each side to guarantee air circulation (heat dissipation).

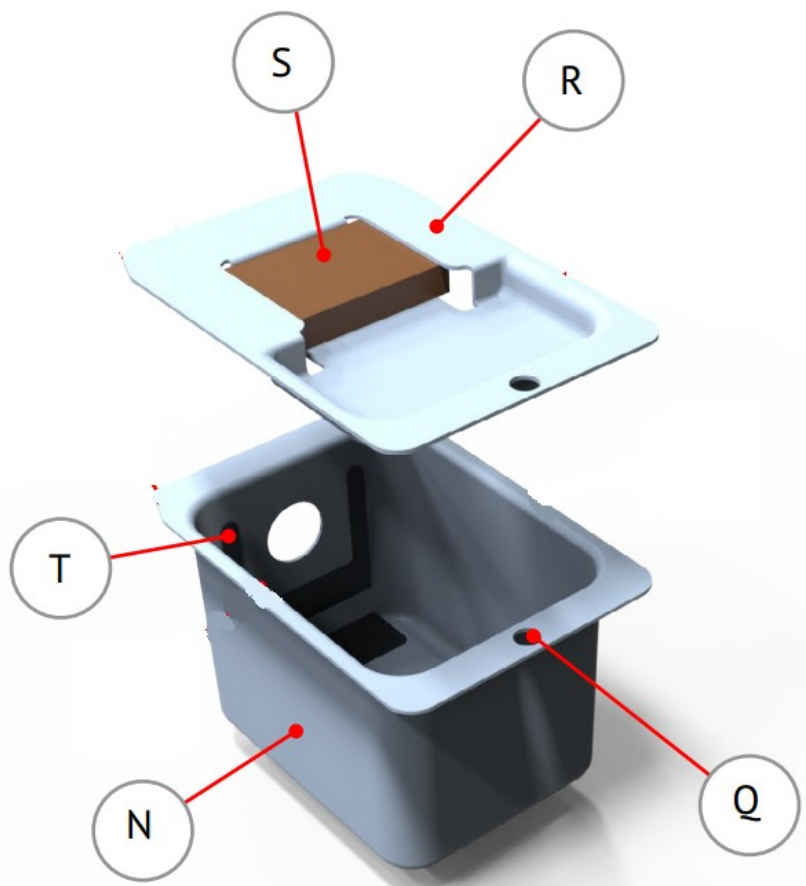
6.3 Storage

The unit location is very important when it comes to workplace safety, even if it is only to be set up there for a short period. The room should be dry, well ventilated and vibration-free. An even temperature and wooden supports also help. The unit should not be stored or set up outdoors. If the unit is to be stored for an extended period, protect it from moisture and dust.

7 Installation/ Start-up

- ❶ Before start-up, be sure the device reaches room temperature.
- ❷ **Before** starting the unit, please check the following:
 - First of all make sure that all filters are in the correct position.
 - Make sure that the micro fine dust filterbag is properly fixed into the box and all other filters are properly fixed too.
 - Fit the hose into the hose inlet and rotate clockwise to block.
 - **Finally**, insert the power plug into the socket 5, making sure that the mains and the unit operate on the same voltage.
 - For Micromotor Calibration please see 8.1.5 of this manual.

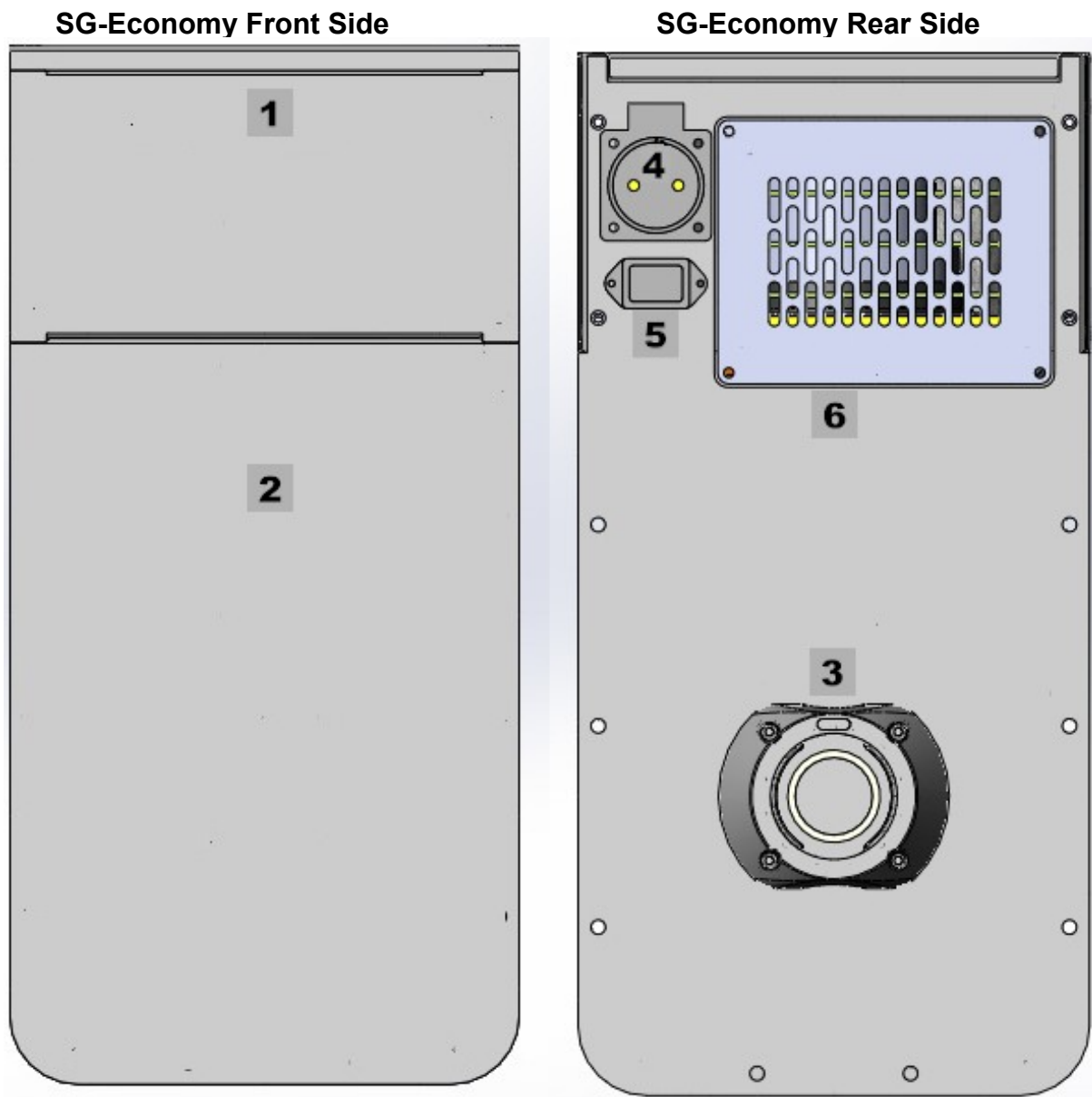
N = Filterbag box
R = Cover of the filterbag box
S = Sponge filter
T = Frame for filterbag flange
Q = Handle of filterbag box



8 Operation

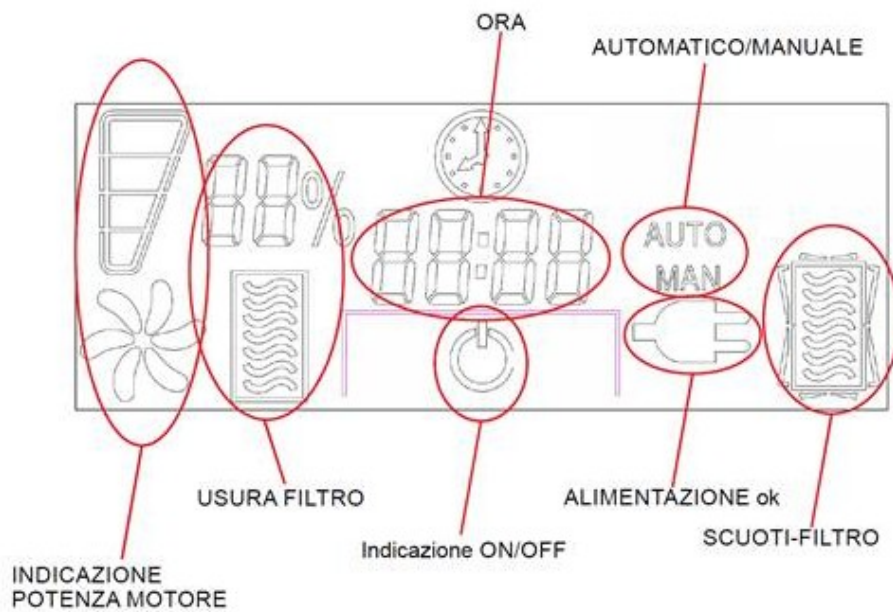
8.1 General Operating Instructions

All instructions for using the unit, whether in verbal or written form, are based on our own experience and experimentation and can only be regarded as guidelines.



1 = User interface
2 = Dust door

3 = Inlet air
4 = Power tools socket
5 = Supply line socket
6 = HEPA filter grid



ON/OFF: Main switch

8.1.1 Set the Use Mode to auto or manual

A/M: Press to set the use mode – auto or manual

In automatic mode when the tools will be switched on also vacuum will run at the same time, and when switching off the tools also the vacuum shutting off after a few seconds. Also see 8.1.5 Micromotor Calibration

8.1.2 Adjustment of the Motor Power (Suction)

+/- : Press to set the power to 25-50-75-100%

8.1.3 Set the Clock

- Keep press the button till the digit are lamping.
- To set the hour digit use + or -.
- Press again the button to set the minute digit.
- Press the button to confirm .

8.1.4 Leaf Button/ Filter Vibration Function

- To clean the main filter press the relative button.
- **To reset the percentage of using the filter, with the model off / standby press the leaf button until an acoustic signal appears.**

8.1.5 Micromotor Calibration

- Keep press the A/M and leaf button and at the same time insert the supply line of the micromotor into socket 4.
- Wait till display shows „ST 000”.
- With + or – set the value from 0 to 250.
- Press clock to confirm.

8.1.6 Hour

- Keep press + and – and at the same time insert the supply line of the micromotor into socket 4.
- Wait till display shows “T0 / ON 00:00 ” .
- T0 = TOTAL TIME
- ON = TIME MOTOR (NB: 1 IS = 10 HOUR)

9 Care and Maintenance

9.1 Cleaning



Disconnect the power plug before starting any maintenance work.

The identification plate has always to be kept in easily legible condition and has not to be removed.



Remove external dirt from time to time with some form of cold cleaner.

Use only cold cleaners to avoid damaging the paintwork or removing the lettering.

The equipment should be cleaned at regular intervals to ensure trouble-free operation.

It requires only normal cleaning (sponge, damp cloth, mild detergent) and no further chemical additives.

9.2 Maintenance



Do any maintenance operation always with the product switched off and the supply line disconnected from the power socket.



- The 3 different filters must be regularly replaced according to the frequency of use and type of dust .
- The **cartridge filter** is recommended to be replace every 4-6 month, also in relation to the frequency of use and type of dust. Clean the **main filter** under running water or brush the filter periodically with a soft brush to avoid damaging the filtering surface. It is advisable to replace the filter at least once every 4/6 months and in any case according to the frequency of use and the type of dirt sucked.
- Check the filling status of the **filterbag** replacing it when necessary. The use of original filterbags is recommended.
- The **HEPA filter** is NOT washable!

9.2.1 Main Filter/ cartridge filter

Open the front panel (H) pulling the handle and remove the dust filterbag box (V).

Turning light the filter (M) and remove it. Insert the new cartridge filter and turn until it's complete fixation on supports (F).

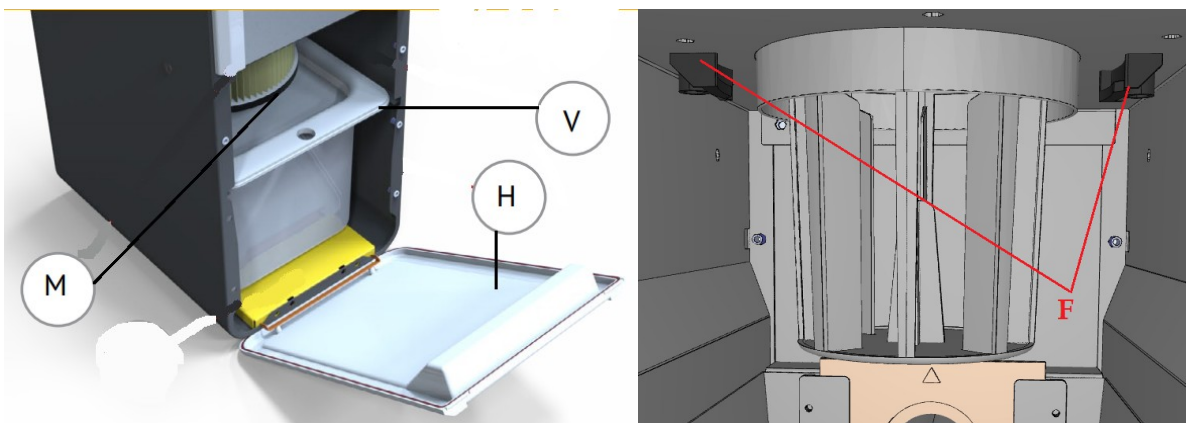
The filter is washable.

Periodically (each month) remove the filter and clean it

Clean the filter under running water.

Let the filter dry.

Once dry, insert and retighten the filter.



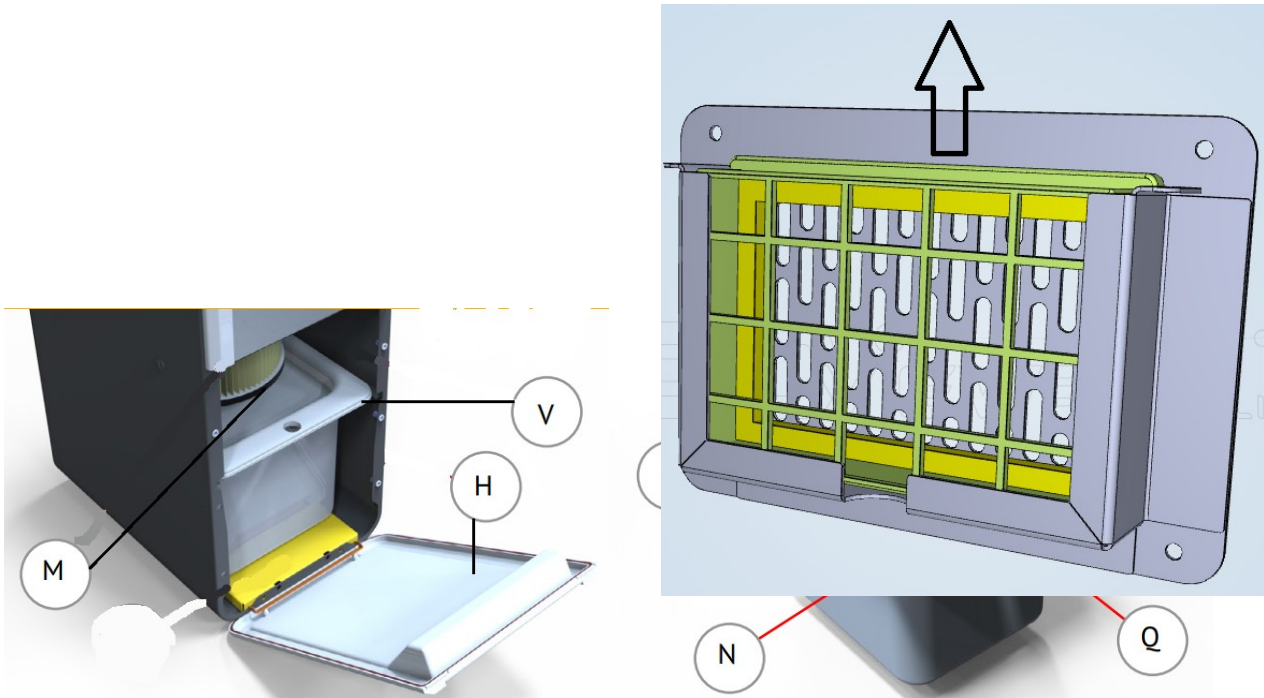
- A complete replacement is recommended every 4-6 months.

9.2.2 Dust Filterbag

Replace it according with the use and in any case when the filterbag is full.

Open the front panel (H) pulling the handle. Remove the dust filterbag box (V) and remove the filterbag.

Insert the filterbag's flange into the support (T) and restore the box inside the dust collector.



- Every 4-6 month and in any case in consequence of the use replace the filter S.

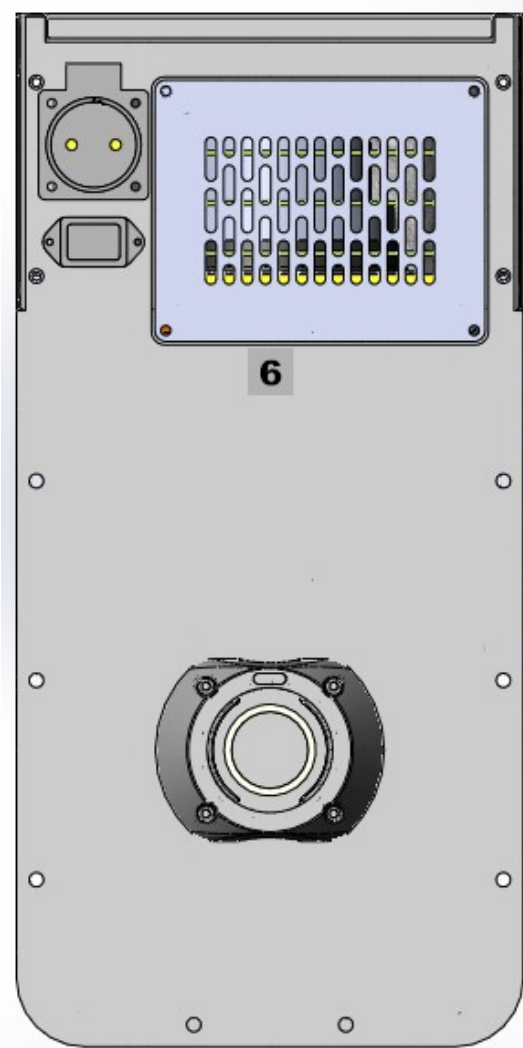
9.2.3 Exhaust HEPA Filter

Unscrew the 4 screws of the grid / support (6) air positioned on the back of the product and remove the filter frame.

Proceed with changing the filter as show in the image and restore the grill in place.

Fit the grid with the 4 screws.

 **This filter is NOT washable!**



9.3 Repairs



Servicing or repairs to the unit has only to be carried out by qualified technicians. Only original spare parts are to be used. Responsibility for the product is voided if unauthorised persons alter it or if inappropriate components are installed.

9.4 Spare Parts

If you have any questions please contact our service hotline phone or send us an e-mail to

export@wassermann-dental.com

9.5 Service Hotline 0049 (0)40 730 926 -24

10 Technical Data

SG-Economy – Item No. 140970

Motor:	900 W
Depression:	1900 mm / H ₂ O
Dimension unit max. W x H x D:	24 x 48 x 37 cm
Dimension package W x H x D:	35 x 54 x 40 cm
Weight:	13 kg net weight, 16 kg gross weight
Sound level:	≤ 59 dB (A)

11 Disposing of the Unit

The unit has to be disposed by an authorized recycling operation. The selected company has to be informed of all possibly health-hazardous residues in the unit.

11.1 Information on Disposal for Countries within the EU



To conserve and protect the environment, prevent environmental pollution and improve the recycling of raw materials, the European Commission adopted a directive that requires the manufacturer to accept the return of electrical and electronic units for proper disposal or recycling.

Within the European Union units with this symbol should not therefore be disposed of in unsorted domestic waste.

For more information regarding proper disposal please apply at your local authority.

12 EU Declaration of Conformity

in accordance with EN60335-1:2012+A1:2014, EN 60335-2-69:2012, EN 55014-1:2006+A1:2009+A2:2011, EN 55014-2:2015, EN 61000-3-2:2014, EN 61000-3-3:2013

Manufacturer: EMERITALIA Srl Product description: Suction Unit
Via Euclide 2
20864 Agrate Brianza (MB)
Italy

Model: SG-Economy Item no. 140970

Dichiara sotto la propria responsabilita che la macchina E' conforme alle direttive CE e loro successive modificazioni, ed alle norme EN:

Declares under its responsibility that the machine is complies with directives EC, and subsequent modifications, and the standards EN:

Erklärt unter seiner Verantwortung, dass die Maschine den Richtlinien EG und nachfolgenden Änderungen sowie den Normen EN entspricht:

Atteste sous sa responsabilite que la machine est conforme aux directives CE et aux modifications successives ainsi qu'aux normes EN:

Applicable 2006/42/EC
standards: 2014/30/EU
 2011/65/EU

Place, date: Hamburg, 2021-05-06



Wassermann Dental-Maschinen GmbH
Rudorffweg 15–17 · 21031 Hamburg · Germany
Phone: +49 (0)40 730 926-24 · Fax: +49 (0)40 730 37 24
export@wassermann-dental.com · www.wassermann.hamburg



/WassermannDentalmaschinen